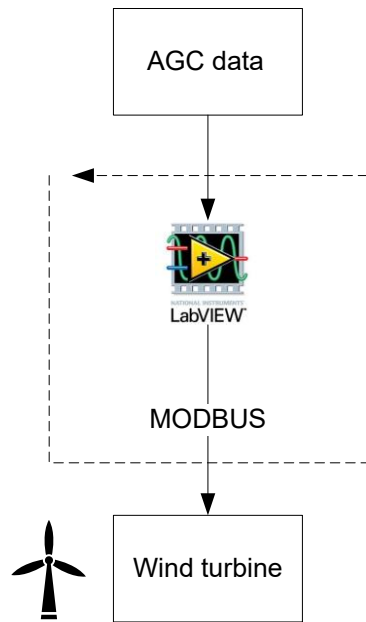
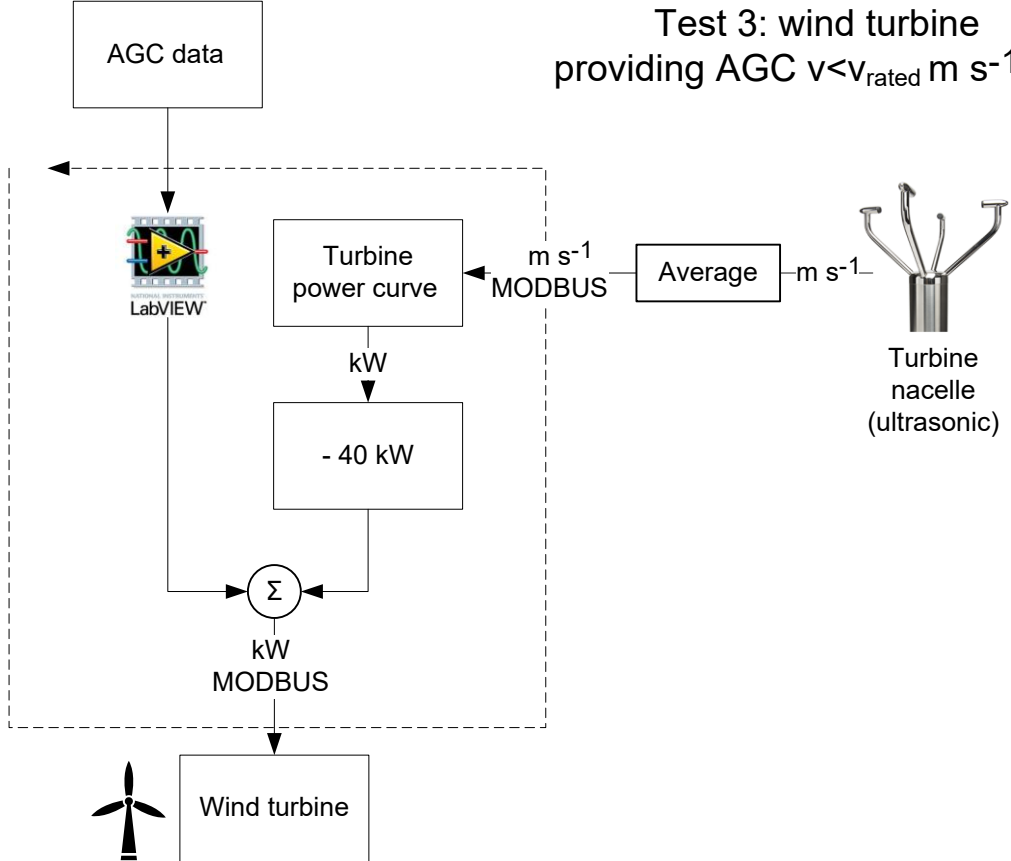


Test 2: wind turbine
providing AGC $v > v_{\text{rated}} \text{ m s}^{-1}$



(a)

Test 3: wind turbine
providing AGC $v < v_{\text{rated}} \text{ m s}^{-1}$



(b)