

Comparison of electrical collection topologies for multi-rotor wind turbines

Paul Pirrie¹, David Campos-Gaona¹, and Olimpo Anaya-Lara¹

¹Wind and Marine Energy Systems CDT, University of Strathclyde, Royal College Building, 204 George Street, Glasgow, Scotland

Correspondence: Paul Pirrie (paul.pirrie@strath.ac.uk)

Abstract. Multi-rotor wind turbines (MRWT) have been suggested in literature as a solution to achieving wind turbine systems with capacities greater than 10 MW. MRWT's utilise a large number of small rotors connected to one support structure instead of one large rotor, with the aim of circumventing the square cube law. Potential benefits of MRWT's include cost and material savings, standardisation of parts, increased control possibilities and improved logistics for assembly and maintenance. Almost all previous work has focused on mechanical and aerodynamic feasibility, with almost no attention being paid to the electrical systems. In this research eight different topologies of the electrical collection network for MRWT's are analysed to assess which are the most economically and practically viable options. AC and DC collection networks are presented in radial, star, cluster and DC series topologies. Mass, capital cost and losses are estimated based on scaling relationships from academic literature and up to date commercial data. The focus of this study is the assessment of the type of electrical collector topology so component type and voltage level are kept consistent between topology designs in order to facilitate a fair comparison. Topologies are compared in terms of four main criteria; capital cost, cost effectiveness, total mass, and reliability. A comparison table is presented to summarise the findings of the research in a convenient way. It is found that the most cost effective solutions are the AC radial and AC star topologies, with the least cost effective being the DC series/parallel and DC cluster topologies. This is due to the high cost of DC-DC converters and DC switchgear, along with the lower efficiency of DC converters. Radial designs perform best in terms of efficiency and annual energy capture. DC systems achieve a slightly lower nacelle mass compared to their equivalent AC systems. DC topologies are generally found to be more expensive when compared to their AC counterparts due to the high cost of DC-DC converters and DC switchgear. Star topologies are considered to have the best reliability due to having no shared equipment. The most suitable collection topology for MRWT's is shown to be of the star type, in which each turbine is connected to the step up transformer via its own cable.

20 1 Introduction

As the wind industry tries to continue reducing the cost of energy, it is desirable to have as much rated capacity on one support structure as possible, particularly offshore. The substructure of a wind turbine is typically a large portion of the capital cost so increasing the size and power rating of the turbines is an obvious way to reduce the cost of energy (Manwell et al., 2014). Additionally, there is less sites to be maintained, which can drastically reduce the O&M costs of a wind farm, particularly

25 in offshore environments when access can be difficult. This has led the industry to develop very large wind turbines like the GE Haliade-X, with a rotor diameter of 220 m and a power rating of 12 MW. However, there is physical and economical limits as to how large single rotor wind turbines can become. It is shown in (Sieros et al., 2012) that as the radius of a wind turbine rotor increases, the loads due to self weight that are encountered in the blades and tower increase at a faster rate. This implies that more and better material and hence higher capital costs are required to manufacture blades and towers as rotors
30 increase in diameter. There are additional practical limits as to how large wind turbine components can become. For onshore wind turbines, the size of components has already reached a practical limit due to difficulties involved in transportation of large components. Larger components are possible when installed offshore, but there is still significant issues involved with transporting and installing large components. Large components require large vessels to transport and install which come at a significant cost to installers.

35 Multi-rotor wind turbines (MRWT) offer an alternative solution to achieving wind turbine systems with large scale power capacity. The idea is to have a large number of small turbines on one support structure instead of one very large rotor, circumventing the square cube law and achieving significant savings on material costs for blades and drive train components. It is shown in (Jamieson and Branney, 2012) that the blades and major drive train components in a MRWT have $1/\sqrt{n}$ times the mass of an equivalent single rotor system where n is the number of rotors, implying significant savings in material costs for
40 MRWT's.

Various studies within the literature have shown that the MRWT concept has potential and should be investigated further. An initial investigation of support structures required for MRWT's is conducted in (Manwell et al., 2014). Although the total mass of the MRWT is shown to be higher than that of an equivalently sized single rotor turbine, the cost of the MRWT is approximately 22% lower. This is due to a reduction of expensive materials required for blade and drive train components.
45 Various loading scenarios were investigated in the Innwind study (Jamieson et al., 2015). It was shown that MRWT's benefit from reduced loading in all scenarios compared to that of an equivalently sized single rotor. A load averaging effect is also demonstrated, which could result in increased fatigue life. Larger load variations lead to more fatigue damage, and this must be accounted for when designing the support structure. Loading is generally highest at rated wind speed, just before blades start to pitch. It is highly unlikely that all individual rotors in a MRWT system will be operating at rated wind speed at the same time
50 due to the nature of wind. This results in a load averaging effect over the MRWT support structure, meaning that loading over time is smoother and has less variation. Support structure elements will be subjected to smaller variations in loading over the life time of the structure, which will lead to less degradation in the structural components and an increased fatigue life. Various studies performed at Kyushu University in Japan (Gölsenbott et al., 2017; Ohya et al., 2017; Goeltenbott et al., 2015) have shown that clustering turbines together can result in an increase in the coefficient of power, C_P , which can lead to increases in
55 annual energy capture. All of these studies show that clustering conventional turbines results in modest gains in C_P , whereas clustering wind-lens turbines can produce significant increase in C_P . This was also shown through simulations in the Innwind project, where a MRWT consisting of 45 turbines is expected to have an increase in power of 8%. Operation, maintenance and installation costs are also expected to be reduced using the MRWT concept, as components would be small enough to use small vessels without specialist equipment required. It is proposed in the Innwind project that each MRWT platform would

60 be equipped with an on-platform crane capable of removing and replacing an entire rotor assembly with no additional lifting
equipment required. MRWT's would also benefit significantly from an increased redundancy. If one small rotor fails only
a small portion of the total power is lost and can be replaced at the next regular service interval without significant loss of
revenue. The Innwind project also compares the levelised cost of energy (LCOE) of the conceptual 20 MW 45 rotor MRWT
with two 10 MW reference wind turbines (RWT) and estimates that the MRWT would have a reduction in LCOE of 15%.
65 Some disadvantages of the MRWT concept are more complex support structure design and increased component count.

Although some work has been done to provide insight into the feasibility of MRWT's, the electrical system has been largely
neglected. The aim of this study is to assess various electrical collection topologies that could be used in a MRWT in order
to determine the most suitable option. There are several areas that must be considered when identifying possible electrical
collection topologies for MRWT's. The cost of the system should be minimised as to not outweigh the savings in material
70 costs. Mass distribution must be optimised in order to avoid unnecessary reinforcement of the support structure. The ability to
vary rotational speed of individual rotors is an important aspect of power maximisation and load alleviation, so the independent
operation of individual rotors is an important consideration. It is desirable to maximise the built in redundancy within a MRWT
system, so reliability of components and redundancy within the electrical system is an important consideration.

This study performs an initial analysis of eight different electrical collection topologies that could be used within a 45 rotor
75 MRWT system. Section 2 describes the methodology used, Section 3 describes the system outline, Section 4 discusses the
design constraints of the system, Section 5 outlines the proposed electrical collection topologies, Section 6 describes how the
mass, cost and losses of each component has been estimated, Section 7 describes how the cost effectiveness of each system is
compared, Section 8 presents the results of the analysis and conclusions are made in Section 9.

2 Methodology

80 In this initial analysis of different electrical systems, the emphasis is placed on determining the most suitable *type* of system
so no detailed design work for each component will be conducted within this study. Instead, various AC and DC electrical
topologies are designed using realistic components that are trusted and understood by the wind industry. If the benefits of the
MRWT concept can be shown to be true while still using known and well understood components, it is more likely to be
accepted as a viable alternative to the single rotor wind turbine. Mass, cost and losses are estimated for each component using
85 information from industry data sheets where possible.

A number of steps were carried out in this study:

- Design constraints were established.
- Eight collection topologies were designed. Both AC and DC topologies are included. The focus of the study is to analyse
the type of collection topology, so component type, voltage level and number of turbines in strings and clusters is kept
90 consistent across all designs where possible.

- Capital cost and mass of each collection topology were estimated using a combination of scaling relationships and up to date commercial information.
 - Loss profiles of each component were used to estimate the total losses of each collection topology over the entire operating range of wind speeds.
- 95 – Cost effectiveness of each collection topology was assessed based on the capital cost and total losses over a 20 year lifetime of the project.

3 System outline

A MRWT system consisting of 45 rotors will be considered in this study. Figure 1 shows a simple representation of the physical layout of such a system with each circle representing a single wind turbine rotor. The MRWT concept as described in (Jamieson et al., 2015) includes a small platform situated at the bottom of the turbine array with enough space to accommodate a large step up transformer which is required to step up the output voltage to a suitable level for connection to a wider collection network. For DC systems, a DC to AC power converter is also situated on the platform. Each wind turbine unit includes a nacelle which contains all the power train components (gearbox, generator, power converters, brake system) much like a standard three bladed variable speed wind turbine. A steel tubular lattice style space frame is used to support the 45 turbine units. Various concepts regarding the support structure and yaw system are outlined in the Innwind report (Jamieson et al., 2015) including floating systems and systems with fixed base. How the space frame connects to a floating platform or traditional tower is out of the scope of this paper, as the work focuses on the electrical system connecting the individual turbines. The reader is directed to the Innwind report (Jamieson et al., 2015) for a detailed description of various possible design solutions.

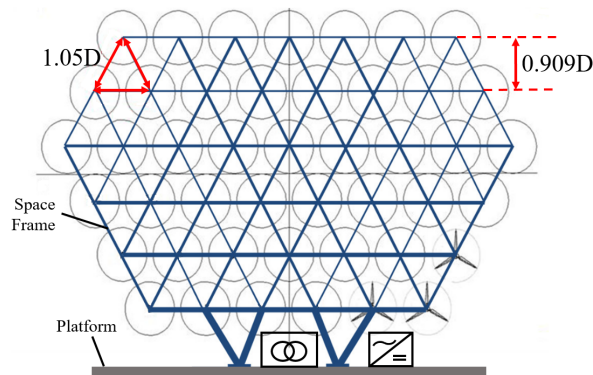


Figure 1. Proposed layout of a 45 rotor MRWT system. Adapted from (Jamieson et al., 2015).

This number of rotors allows a balanced and compact design and is used in various studies such as (Jamieson and Branney, 2012) and (Jamieson et al., 2015). The Innwind study provides a conceptual design for such a system and also makes compar-

isons to an equivalent system consisting of two 10MW RWT's from DTU to highlight the reduction in LCOE that could be realised by the MRWT concept. It is therefore desirable to use a similar system in this study to allow for easy comparison to both systems. Each rotor has a diameter of 41 *m* which results in the same total swept area as the two 10 MW RWT's. Although the Innwind project uses 444 kW turbines, commercial examples of turbines with similar swept area are capable of producing 500 kW rated power. Examples are the Enercon E40 turbine with a rated power of 500 kW and a diameter of 40.3 m (Wind Turbine Models, a) and the Vestas V39 turbine with a rated power of 500 kW and a rotor diameter of 39 m (Wind Turbine Models, b). In order to give a fair representation of the energy capture possible with such a MRWT system, a representative rated power of 500 kW was selected for each turbine in this study. The characteristics of each turbine unit are shown in Table 1, along with the characteristics of the 10 MW RWT used for comparison (Bak et al., 2013). The diameter of the DTU RWT is scaled up to 194.5 *m* in the Innwind report (along with the capital costs associated) in order to match swept areas of the two systems; this upscaled diameter is used for comparison in this paper.

Table 1. Characteristics of each individual turbine unit used in the MRWT system and the 10 MW RWT.

Characteristic	Individual MRWT turbine	RWT
Turbine type	3 blade, variable speed, pitch regulated	3 blade, variable speed, pitch regulated
Rated power	500 <i>kW</i>	10 <i>MW</i>
Rotor diameter	41 <i>m</i>	194.5 <i>m</i>
Rated wind speed	11.5 <i>m/s</i>	11.5 <i>m/s</i>
Maximum C_P	0.45	0.48
Rated rotor speed	30 <i>rpm</i>	9.6 <i>rpm</i>

4 Design Constraints

The following design constraints have been used to design the electrical topologies:

1. The system in question must have 45 rotors: to facilitate fair comparison with results in the Innwind project.
2. Each turbine has the characteristics shown in Table 1: these values have been selected as representative values from available wind turbines of this scale used within the industry.
3. Each turbine must have independent speed control: This is required in order to maximise energy capture and minimise loading on blades and drive train components.
4. It is assumed that each turbine operates in a maximum C_P tracking mode below rated wind speed, and then power is held constant at rated power above rated wind speed via pitch control.

5. Each topology must connect to an AC collection network at 33kV : this is a common voltage level used within the wind industry for collection networks. DC collection networks have been discussed in literature, but there is still no real world applications.

6. It is assumed that there is a platform as shown in Fig. 1 large enough to support a step up transformer and/or converter as described in the Innwind report (Jamieson et al., 2015).

135

5 Proposed Electrical Topology Designs

A total of eight topologies were designed and each are described in this section. Each topology is based on commonly discussed collection network topologies for offshore wind farms as they are analogous to the electrical system required for MRWT's. Both have the purpose of collecting power from a number of turbines and exporting it to a wider electrical network at one
 140 single point of connection.

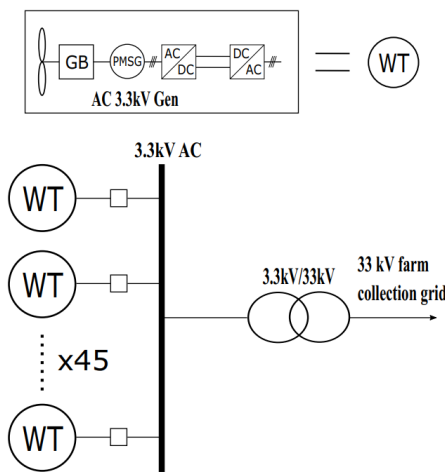


Figure 2. AC star topology.

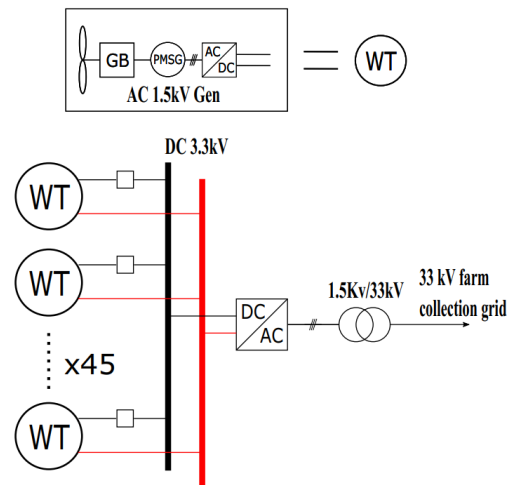


Figure 3. DC star topology.

The AC star and DC star topologies are shown in Fig. 2 and Fig. 3 respectively. In both the AC and DC star topologies each turbine is connected via its own cable to the converter or transformer situated on the platform shown in Fig. 1. The AC star uses a 3.3kV permanent magnet synchronous generator (PMSG) with a fully rated back-to-back IGBT based voltage source converter (VSC). The DC star uses a 1.5 kV PMSG with controlled IGBT based VSC. Various types of DC output wind
 145 turbines have been suggested in the literature with some utilising diode rectifiers to reduce weight and cost, and others utilising controlled IGBT based rectifiers. The advantage of using an IGBT based VSC is that it is able to easily control both the torque of the generator as well as the reactive power to the generator. This allows for independent speed control of each turbine while maintaining a constant DC output voltage, and also allows the use of any type of generator. A controlled rectifier has been

selected for these reasons for each DC topology in this study. To allow for a fair comparison between topologies, all use a PMSG. The DC star topology uses a lower rated generator in order to have the DC cable voltage directly comparable to the AC star topology, which facilitates a fair comparison between the two and keeps the emphasis on the type of system rather than system voltage. Medium voltage (MV) generators are required to avoid high conduction losses in low voltage (LV) cables and also to remove the need for a transformer within the nacelle. The star topologies benefit from excellent redundancy as a fault in any one component within the array only results in the loss of 1/45th the total rated power. The disadvantage is that there is a large total cable distance, but cables with a smaller cross sectional area (CSA) can be used compared to other topologies. The DC star topology also may benefit from greater efficiency and lower mass due to fewer conversion steps and the use of DC cables (DC cables are known to be lighter and smaller compared to AC cables (Lakshmanan et al., 2015)).

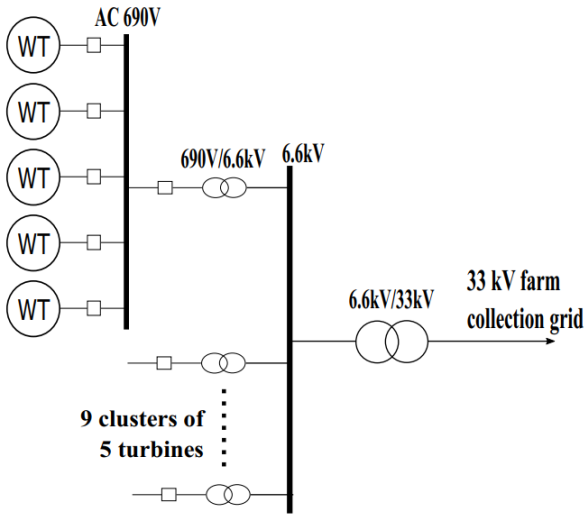
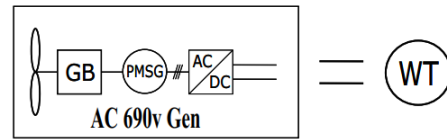
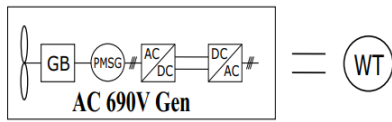


Figure 4. AC cluster topology.

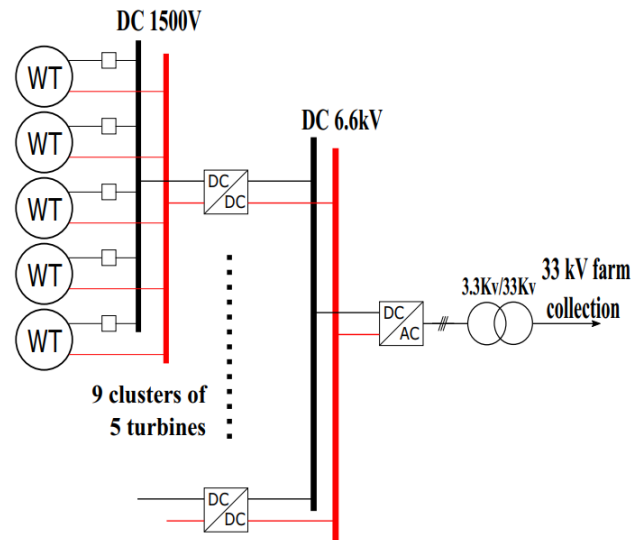


Figure 5. DC cluster topology.

The AC and DC cluster topologies are shown in Fig. 4 and Fig. 5 respectively. The cluster topologies gather power from a number of rotors, step up the voltage using either an AC transformer or a DC-DC converter and then transmit the power to the converter/transformer situated on the platform. This allows for the use of industry standard 690 V generators as the cable distance between each rotor and the transformer or DC-DC converter is very small. Cluster topologies use much smaller cable distances compared to the star topologies, but require cables with larger CSA to handle higher currents. DC-DC converters are used in the DC topology and a 50/60 Hz transformer is used in the AC topology. DC-DC converters are smaller and lighter compared to AC transformers (Lakshmanan et al., 2015) but are also significantly more expensive, so it is expected that the DC

165 cluster topology be more expensive but lighter than the AC cluster topology. The main disadvantage of the cluster topologies is the failure of the cluster transformer/DC-DC converter would result in the loss of the entire cluster of turbines.

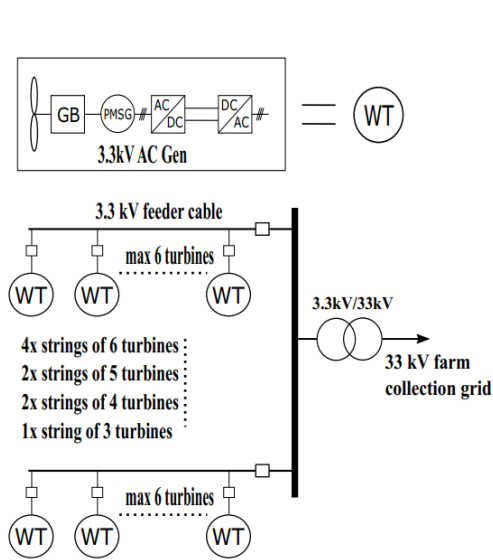


Figure 6. AC radial topology.

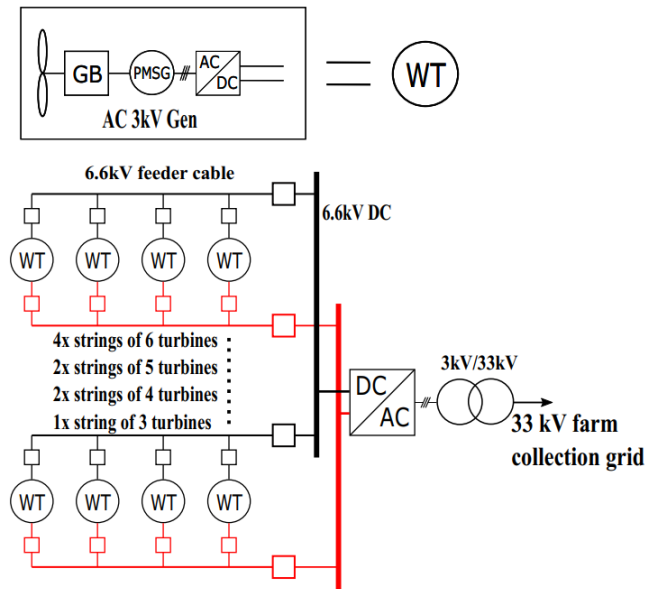


Figure 7. DC radial topology.

The AC and DC radial topologies are shown in Fig. 6 and Fig. 7 respectively. These are based on the most common type of offshore collection network; the AC radial collection network (Bahirat et al., 2012). As it is the most common configuration, the AC radial topology will be used as the base topology throughout this study. In the radial topologies, a number of turbines are connected to a feeder cable which transmits the power to the transformer/converter at the base of the support structure. The amount of turbines connected to a feeder cable is determined by the current carrying capacity of the cable and the power output of the turbines. For simplicity, both AC and DC radial topologies use non tapered cables in each string. Use of a 3.3kV feeder cable in the DC radial design was originally used, but after initial assessment it was deemed unrealistic due to the large CSA of cables required so the next standard voltage level of 6.6 kV was selected. Radial designs benefit from short cable distances, simple design and operational experience. The main drawback is poor reliability as a fault in a feeder cable would result in the loss of the entire string. It should be noted that failure rates for cables are significantly lower than that of power electronic converters or generators.

DC series and DC series/parallel connected wind farm collection networks have been discussed in the literature and show enough promise to be included in this study (Bahirat et al., 2012; Ng and Ran, 2016; Lundberg, 2003). The main idea behind the DC series topology is to connect DC output turbines together in series to increase the voltage of the string without the use of AC transformers or large DC-DC converters, resulting in a very lightweight system. Figure 8 shows the DC series topology and Figure 9 shows the DC series/parallel topology. In the DC series topology, a standard 690V AC PMSG is used with a controlled

rectifier to produce a DC output of 1.5 kV. Each string contains five turbines connected in series to produce a string voltage of 7.5 kV. Generator torque control is performed by the controlled rectifier and the string DC-DC converter maintains the DC voltage of the string. A fault in one turbine can be isolated by using a circuit breaker that operates in short circuit, maintaining a path for the DC current within the string. In the case of a fault within the string, the DC-DC converter at the end of the string can vary its duty ratio to maintain the 11kV bus voltage. This system should have a low mass due to the small number of converters used, but may be expensive due to the use of DC-DC converters and more expensive DC protection devices. There may also be issues regarding insulation as some components will require an insulation level high enough to withstand the whole string voltage to ground. This will be explored further if the topology shows promise.

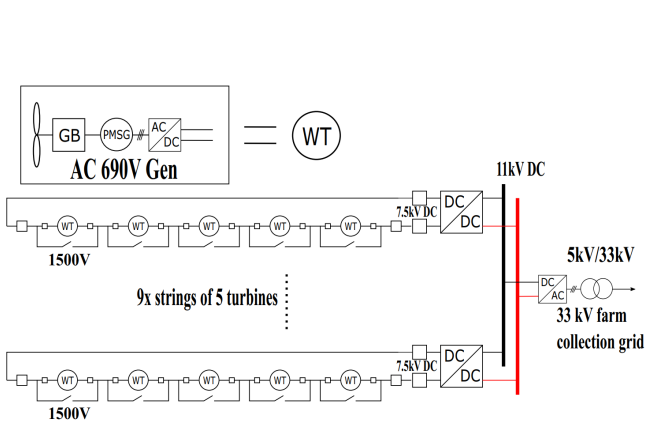


Figure 8. DC series topology.

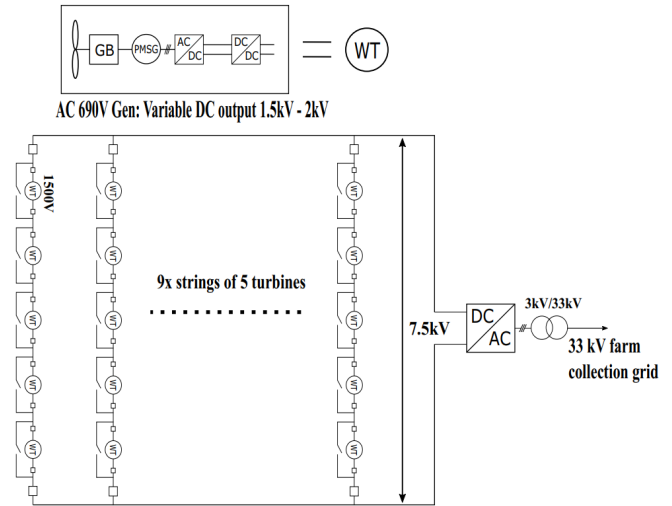


Figure 9. DC series/parallel.

The DC series/parallel topology is similar to the DC series topology in that it utilises DC output turbines connected in series to produce a high voltage within strings. It utilises a variable voltage output DC wind turbine where the generator is connected to a controlled rectifier and a DC-DC converter. As multiple strings of DC series turbines are connected together in parallel, the voltage of each string must be kept the same as the others. This is achieved by the use of the DC-DC converter at the turbine level. If one turbine within a string fails, the voltage is maintained by the other turbines in the string increasing their output voltage. This topology is designed to reduce the cable distance, but will undoubtedly require heavier and more expensive cables to utilise. Disadvantages of this topology are similar to those of the DC series topology.

6 Cost, Mass and Loss Estimation

The cost, mass and loss performance of each component used in the proposed topologies must be estimated in order to determine each topologies suitability. A variety of academic literature and commercial information has been used to accurately estimate the properties of each component used. Information regarding cost and mass of components is rarely available in

the public domain for the exact power rating and size of components required. It is therefore necessary to rely on scaling relationships from the academic literature that estimate the cost and mass of generic components based on parameters like component power rating, P , or torque rating. Within this study, these scaling relationships have been adapted where possible to include the most up to date commercial information in order to reflect realistic components used within the wind industry. A summary of the relationships used to estimate the mass and cost of components in this study is presented in Table 2, along with the valid range in which these relationships are applicable. The cost of components can often be difficult to estimate as component producers will vary prices depending on market pressures, location of projects, availability of materials etc. It is therefore necessary to rely on the academic literature in order to estimate the price of each component. Although the estimated prices may not be exact, they are sufficient to compare the cost effectiveness of each topology. All cost estimates used within this study are presented in 2019 GBP.

Table 2. Summary of mass and cost estimations of each component for variable speed, pitch regulated wind turbines.

Description	Mass (kg)	Cost (2019 GBP)	Valid Range
High speed PMSG	2600 (only valid for 500 kW)	$15P$	0.5 - 6 MW
3 stage gearbox	$70.94 \times LSST^{0.759}$	$18.033P^{1.249}$	0.5 - 6 MW
MV back-to-back VSC	$1.01P - 9.852$	$132P$	0.5 - 6 MW
VSC (inv. or rec)	$0.505P - 4.926$	$66P$	0.5 - 6 MW
Bi-directional DC-DC converter	$1.18P$	$110P$	0.5 - 4 MW
Cables (per km)	mass/km taken from data-sheets	$1000 \cdot (0.46 \times CSA + 94.671)$	95 - 630 mm ²
Transformers	$1.982 \times 10^{-3}P + 481.11$	$-115,968 + 205.73P^{0.4473}$	6.3 - 150 MVA
AC switchgear	N/A	$30,720 + 0.576V_{rated}$	0 - 400 kV
DC Switchgear	N/A	$61440 + 1.152V_{rated}$	0 - 400 kV

6.1 Generators

The cost scaling relationship for high speed PMSG's used in this study is developed from an NREL study (Fingersh et al., 2006) in which a scaling relationship is presented for medium speed PMSG's and the relationship in cost between medium speed and high speed PMSG's which is presented in (Hart et al., 2014). The NREL study provides a cost scaling relationship for medium speed PMSG's used with a 1 stage gearbox which is dependant on the power rating of the generator in kW. This relationship is valid for turbines with rotor radius between 25 m and 70 m, which equates to an approximate power rating range between 0.5 MW and 6 MW. The Hart study shows a detailed comparison in cost between various PMSG's and gearbox combinations. Comparing the cost of a medium speed PMSG (used with a one stage gearbox) and a high speed PMSG (used with a three stage gearbox), it is shown that the high speed generator is around 25% the cost of the medium speed one. Combining these two relationships results in the scaling relationship for the cost of a high speed PMSG that is presented in Table 2. The cost estimations from this relationship match the costs presented in (Carroll et al., 2015), which are developed from data provided from real offshore wind turbines from an unnamed industry partner. This study also shows the same relationship between costs

of a medium speed and high speed PMSG's, further improving the confidence of the scaling relationship developed for this
225 study. Mass of the high speed PMSG can be taken directly from a data sheet available from The Switch which lists the mass of
a 500 kW high speed PMSG at 2600 *kg* (The Switch, 2019).

6.2 Gearboxes

All generators in this study are assumed to be used in connection with a three stage gearbox. This assumption is based on a
typical rated speed of a high speed PMSG of 1500 rpm and rated speed of the wind turbine rotors. This results in a required
230 gearbox ratio of 1:50, which is easily achievable with a three stage gearbox. The cost and mass estimation relationship for a
three stage gearbox is taken from the same NREL study as the generator relationships. The torque density of gearbox's may
have increased since the time of the publication, but all topologies use the same gearbox, so this mass estimation is sufficient for
comparison between the different systems. The mass of the gearbox is calculated based on the low speed shaft torque (LSST)
in *kNm* and the cost is based on the rated power of the gearbox in *kW*.

235 6.3 Power Electronic Converters

The mass of low voltage (690V AC), IGBT based back-to-back VSC's designed specifically for wind turbines are given for
units of different power ratings in a data sheet provided by ABB (ABB, 2018). The mass is given for complete units and
includes the converters, filters, circuit breakers, casings, cooling systems and any other auxiliary systems that are required for
the converters to operate. This information has been plotted and a linear approximation has been used to develop a scaling
240 relationship that can estimate the mass of the back-to-back converter with power rating required for the MRWT system. Figure
10 shows that the linear approximation achieves a reasonable estimation of converter mass, particularly at lower power ratings.
Some topologies also use medium voltage converters, but little information is available on the mass of commercially available
MV converters, particularly at low power ratings. Wind turbines have traditionally used LV generators of 690V until recently
when power ratings of wind turbines have increased significantly and it became more appropriate to use MV machines. It can
245 be assumed that the same relationship holds for both low and medium voltage back-to-back converters. Comparing the mass
of LV and MV back-to-back converter units of similar power ratings, both produced by ABB, it is seen that the MV converter
mass is lower compared to its LV counterpart (ABB, 2019), suggesting that the mass estimation for low power medium voltage
converters may be conservative. Mass for controlled rectifiers or inverters will be taken as half of the back-to-back converter
mass.

250 Due to the variety of designs present in the literature and lack of commercially available high power DC-DC converters,
estimates of mass are tricky. Mass estimates of various converter types are given in (Chen et al., 2013) which shows a mass of
around 800kg for a buck/boost IGBT based 5 MW converter. The problem here is that this mass is solely based on the switches
and passive elements in the DC-DC converter. When a commercially produced converter is available, the mass of the unit is
likely to be considerably higher due to cooling and other auxiliary systems that are required. This lower estimate in mass could
255 cause an unfair comparison between AC and DC topologies. Solar PV applications utilise DC-DC converters on the same scale
as is required for the MRWT topologies. Dynapower provide some information about a commercially available bi-directional

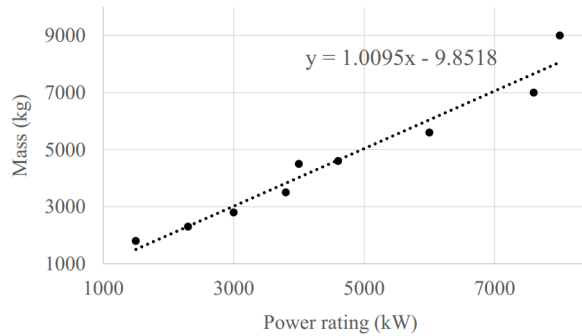


Figure 10. Scaling relationship for LV BTB converters.

DC-DC converter in (Dynapower, 2019), which lists a mass of 500 kW unit as 590 kg. Comparing this to the estimated mass of 800 kg given in (Chen et al., 2013) for a 5 MW unit highlights the difference between academic mass estimation and commercially available units. The Dynapower DC-DC converter can be used in a modular fashion to produce higher power DC-DC converters, so the mass of this unit will be used to estimate the mass of DC-DC converters required for this study. Mass of all power electronic devices in this study are estimated based on the rated power of the devices in kW.

Costs used in two recent studies (Parker and Anaya-Lara, 2013; Lakshmanan et al., 2015) have been converted to 2019 GBP to give a cost of a back-to-back converter (regardless of type) of £132/kVA and a controlled rectifier of £66/kVA. DC-DC converter price estimates vary significantly in the literature due to the lack of commercially available converters for wind applications and the variety of designs suggested. It is therefore most appropriate to take a range of prices available in the literature for suitable DC-DC converters and take an average of this price. The studies used for this are: (Lakshmanan et al., 2015; Fingersh et al., 2006; Max et al., 2007; Lundberg, 2003; Georgios and Wheeler, 2010). This gives an average cost of £110/kVA.

6.4 Cables

Mass of cables can be easily assessed using mass per km values given in data sheets of cables from a variety of cable manufacturers.

Cable costs are estimated from (Dicorato et al., 2011) which provides a cost function for a kilometre of cable based on the CSA of the cables in mm². The study uses available costs from numerous sources and averages them for each CSA then uses a least square linear regression to produce the relationship. The paper states that this relationship is valid for medium voltage copper conductor XLPE insulated cables. Although not stated, most offshore installations use three core cable, so it will be assumed that this is the cost for three core cable. Suitable cables have been selected for each topology based on the required current carrying capacity of the cables. Cable distances have been estimated for each topology based on realistic cable layout designs that follow the triangular lattice support structure beams as closely as possible to avoid loose hanging cables within the structure.

280 6.5 Transformers

Mass of transformers has been estimated by using information given in (Declercq, 2003) regarding the ‘SLIM’ range of transformers for wind turbines manufactured by Pauwels International (now ‘CG’). The mass of transformers from different power ratings was plotted and a linear approximation for how the mass varies with power rating was developed. Additional information from (Islam et al., 2014) was used to develop the relationship shown in Table 2, which estimates the given masses of transformers very well. It also generally agrees with other information from data sheets for ABB distribution step down transformers. The mass of transformers is estimated based on the power rating of the transformer in VA .

Lundberg (Lundberg, 2003) provides a formula for estimating the cost of MV/HV transformers rated between 6.3 and 150 MVA, with low side voltage rating between 10.5 and 77 kV and high side rating between 47kV and 140kV. The transformers required in this study do not quite fall into this category, but will be assumed to follow this cost model. This cost model provides the base for many cost estimates of transformers in the literature, with (Parker and Anaya-Lara, 2013; Dicorato et al., 2011; Lakshmanan et al., 2015) all using this relationship and scaling it to present day value in the currency of the paper. The cost estimates for transformers in this study are based on the rated power of the transformer in VA .

6.6 Switchgear

Lundberg (Lundberg, 2003) also provides a cost model for AC switchgear based on the voltage rating in V , which is commonly used within academic literature. The cost of DC switchgear is also required for this study, which is more difficult to estimate due to the lack of commercially available DC switchgear. It is suggested in (Lakshmanan et al., 2015) that the cost of DC switchgear could be as much as four times that of AC switchgear, but this figure is based on a study from 2007. Since then advancements in DC switchgear have been made, so a relationship of two times the cost of AC switchgear will be used here to reflect advancements in technology. The mass of switchgear is assumed to be negligible in this study as the VSC mass estimations includes some switchgear masses.

6.7 Losses

Losses of each individual component were estimated at each 0.5 m/s wind speed increment between cut-in and cut-out wind speed. Mechanical power is calculated as follows

$$P_{mech} = \frac{1}{2}\rho Av^3 C_P \quad (1)$$

where P_{mech} is the mechanical power produced by the turbine, ρ is the density of air, A is the swept area, v is the wind speed and C_P is the coefficient of performance. Loss profiles that describe the losses of each component over the entire operating range of wind speeds were used in order to account for varying efficiencies of components when operating at part load. For each topology, the mechanical power was calculated using Eq (1) and losses for each component subtracted at each wind speed. The output power of each component was used as the input power of the next component. For example, the input power of the

310 generator is the mechanical power produced by the turbine minus the gearbox losses. Matlab scripts were created to calculate the total losses at each wind speed of each collection topology.

An equation is presented for gearbox efficiency in (Jamieson, 2011), which was developed by GL Garrad Hassan. It comprises of a loss that varies in proportion to the operating power level, and a constant loss that is related to the rated power and number of stages:

$$315 \quad L_{gear} = \frac{\left(\frac{10}{3} + 2N\right)P_r + 5NP_i}{1000} \quad (2)$$

where L_{gear} is the losses in the gearbox in kW, N is the number of stages, P_r is the rated power of the gearbox in kW (constant) and P_i is the input power of the gearbox in kW (variable). This equation is used to estimate losses of gearboxes in this study.

Losses for generators, power converters and DC-DC converters were estimated by using a combination of data presented in a Lundberg study (Lundberg, 2003) and various data sheets from commercial suppliers. The Lundberg study presents losses of
320 various components as a percentage of rated power over a full range of wind speeds, so can be applied to a variety of different power ratings while the commercial data is used to ensure up to date losses at rated power of the different components are used. This allows for a simple method suitable for early stage analysis, while allowing the loss characteristics of different components at part load to be included. Loss data for each component was produced based on the Lundberg study and reconfigured to reflect commercial rated efficiencies and a different rated wind speed, while maintaining the below rated characteristics of the
325 components.

High speed PMSG efficiency at rated power is listed as over 98% by ABB (ABB, 2012). This is available on the ABB website and is presented as their currently used technology. Back-to-back converter efficiency at rated power for LV converter unit is given as 97% in (ABB, 2018). Back-to-back converter efficiency at rated power for MV converter unit is given as 98% in (ABB, 2019). These efficiencies include back-to-back converters, filtering, cooling systems etc. and is used in this study. For
330 controlled rectifiers, an efficiency at rated power of 99% for MV and 98.5% for LV has been used.

There are a huge amount of DC-DC converters proposed and studied in the literature in recent years. The advancement of power electronic devices and the increasing need to minimise mass in offshore applications has led to an increased interest in DC-DC converter topologies that are suitable for use in offshore wind farms. In (Parastar et al., 2015) a multilevel modular DC-DC converter for high voltage DC wind farm is suggested and reports efficiencies of around 97% at rated power for a small
335 scale prototype. In (Chen et al., 2013) various types of converters are compared in terms of mass, number of components, efficiency and volume. The two best candidates are a buck/boost converter based on IGBT's with a rated efficiency of 97.5% and a resonant switched capacitor converter with a very high efficiency of over 99%. In (Max and Lundberg, 2008) three converter types are analysed and compared, with the author concluding that the most suited type of converter for use in a DC wind farm is a full bridge converter based on IGBT switches. The study presents efficiencies of both a turbine level and group
340 level converter as 97.08% and 97.97% respectively. Finally, various topologies of DC turbine configurations are also shown in Lundberg's 2003 comprehensive study which all are approximately 97% efficiency (Lundberg, 2003). The conclusion reached is that a rated efficiency of 97% will be used for the DC-DC converters in this study, with below rated efficiencies capturing

the characteristics of the converters presented in (Lundberg, 2003). This provides a realistic and slightly conservative estimate of losses within a DC-DC converter suitable for the MRWT application.

345 Losses in cables can be approximated by

$$L_{cable_3\Phi} = 3I_{RMS}^2 R_{AC} \quad (3)$$

$$L_{cable_DC} = 2I_{DC}^2 R_{DC} \quad (4)$$

where $L_{cable_3\Phi}$ is the losses in the three phase AC cables in W, I_{RMS} is the rms AC current in each phase in A, R_{AC} is the resistance of the AC cable in Ω , L_{cable_DC} is the losses in the DC cable in W, I_{DC} is the DC current in A and R_{DC} is the resistance of the DC cable in Ω (Starke et al., 2008). Resistances of the cables can be calculated by considering the total length of cables within the topology and the given resistance per length for the cables CSA.

Transformer efficiencies are estimated using a combination of the loss profile presented by Lundberg in (Lundberg, 2003) and full load efficiencies presented in (Islam et al., 2014). Losses in switchgear are considered negligible.

7 Cost effectiveness

355 In order to analyse the cost effectiveness of each topology a simplified cost of energy (COE) calculation was performed that considered the capital cost of the drive train and electrical components and the total electricity produced by each topology over a 20 year lifetime of the project in net present value (NPV). Equation 5 was used to calculate the simplified COE and the NPV of electricity produced was calculated according to Eq (6) where AEC is the annual energy capture, i is the discount rate which is equal to 10% and n is the lifetime of the project in years. No costs associated with operations and maintenance or loss of power due to failures were included in this calculation.

$$\text{Simplified COE} = \frac{\text{Capital cost of electrical components and gearbox}}{\text{sum of electricity produced over lifetime}} \quad (5)$$

$$NPV = \frac{AEC}{i} \left(1 - \frac{1}{(1+i)^n} \right) \quad (6)$$

The wind speed is assumed to follow a Weibull distribution with an average wind speed of 10 m/s and values of $k=2$ and $C=9.5$ are used. Total energy capture was calculated by multiplying the output power at each wind speed by the number of hours per year the wind will be at that speed and summing the results together.

365

8 Results and discussion

The total capital cost of each electrical topology is shown in Fig. 11. It is clear that DC topologies will incur a significantly higher capital cost compared to AC topologies. This is due to the increased cost of DC-DC converters and DC switchgear. The AC star and radial topologies have the lowest capital cost of topologies analysed, while the most expensive are the DC series/parallel and DC cluster topologies.

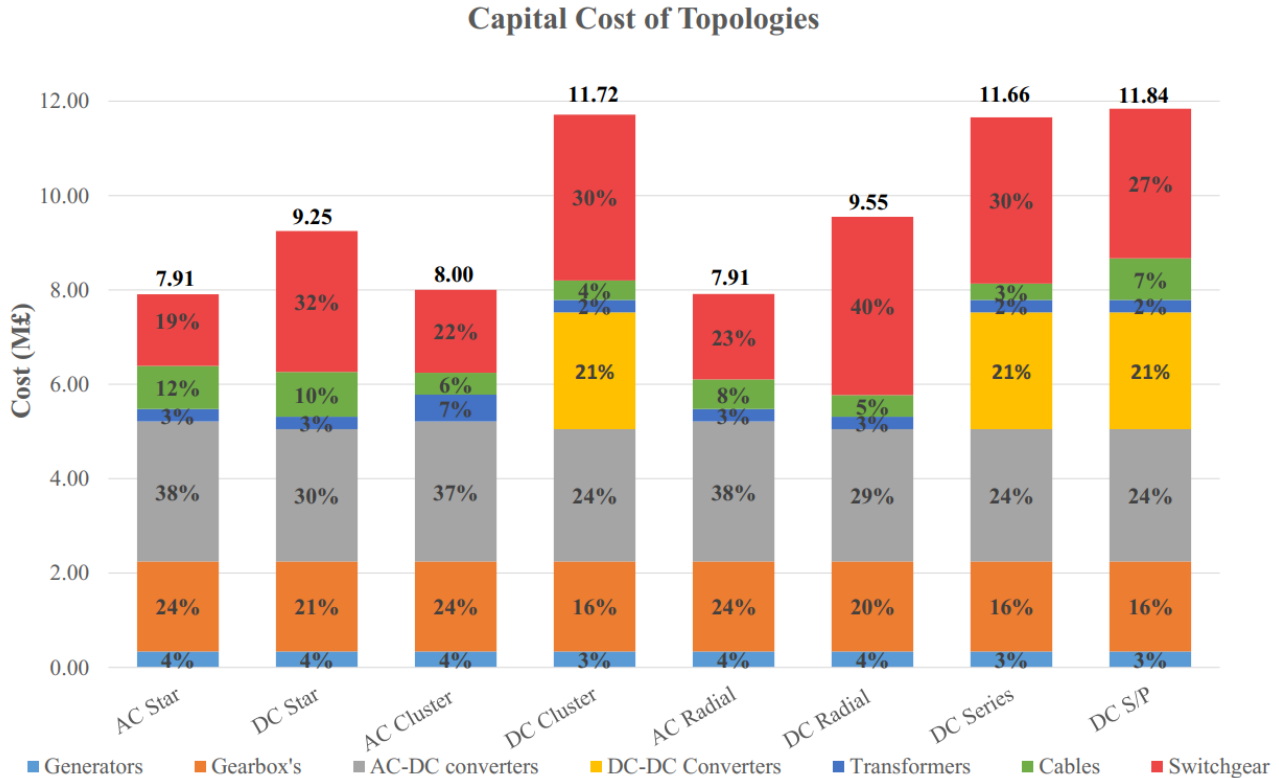


Figure 11. Total capital cost of electrical topologies with breakdown by component. Total capital cost is shown above each bar. Percentage of total capital cost is also shown for each component. Taking AC star as an example, the total capital cost is £7.91 million, with the generators accounting for 4% the total cost, gearboxes accounting for 21% and so on.

The total mass and breakdown of component mass is shown for each topology in Fig. 12. Although some topologies are lighter than others, the difference in total weight is not significant. The system with the highest mass is the AC cluster topology, with its high mass due to the use of AC transformers within the system. The lightest is the DC star topology, with DC radial and AC star very close behind. Gearbox and generator mass is a significant portion of total mass, accounting for 68-81% of the total mass in each case. This mass can be reduced by considering different generator and gearbox combinations, but has not been considered in this study so as to make a fair comparison of the type of electrical systems. As the large transformer and/or inverter are situated on the build-in platform of the MRWT, the mass per nacelle is a more appropriate measure of how

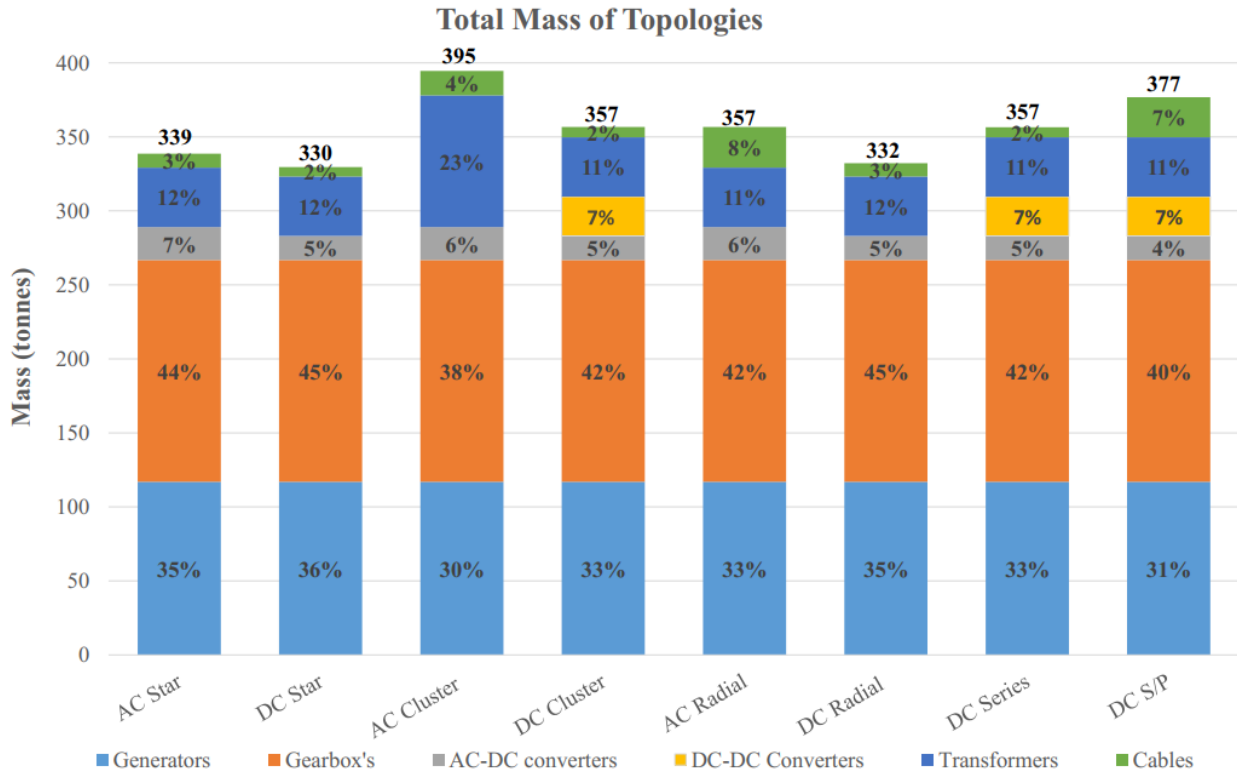


Figure 12. Total mass of electrical topologies with breakdown by component.

Table 3. Comparison of characteristics of each electrical topology.

Topology (MW)	Simplified COE (£/MWh)	Mass per nacelle (<i>kg</i>)	Annual lost energy (GWh)
AC star	11.41	6634	8.70
DC star	13.3	6317	8.45
AC cluster	11.82	7876	10.59
DC cluster	17.38	6921	10.94
AC radial	11.36	7034	8.28
DC radial	13.66	6377	8.02
DC series	17.3	6917	10.98
DC series/parallel	17.82	7367	12.05

the mass of each system will effect the design of the support structure. This is shown in Table 3 and includes all components housed within the nacelle as well as a share of the cable mass and shared components. The DC star and DC radial topologies perform well in this category due to their low component count. The DC star achieves a 10% reduction in mass of each nacelle compared to the base case of the AC radial.

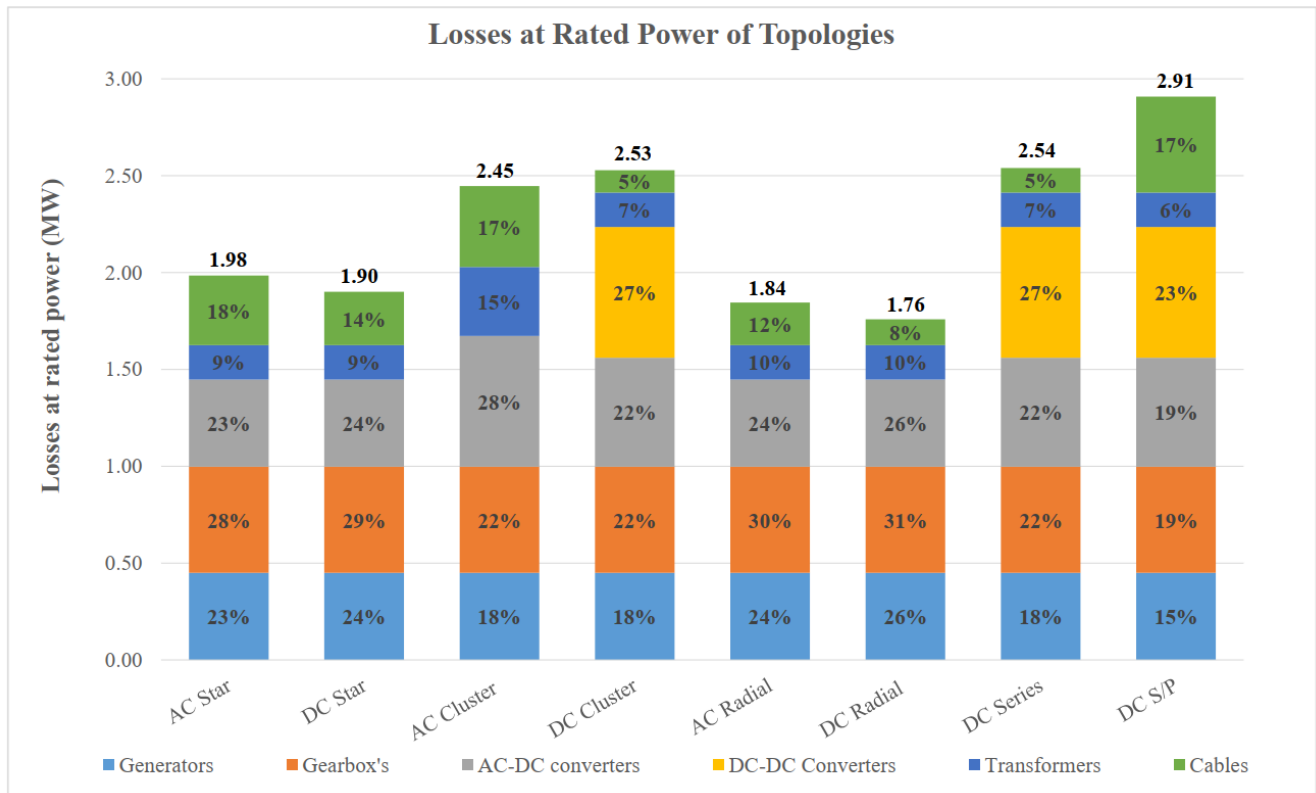


Figure 13. Total losses at rated power of electrical topologies with breakdown by component.

Losses at rated power of each topology are shown in Fig. 13, with the most efficient topologies being the DC radial and AC radial designs. The DC radial design is slightly more efficient than the AC radial due to lower losses in the DC cables. This is due to the higher voltage level and the reduced conduction losses in DC cables. The DC cluster topology has higher losses compared to the AC cluster topology due to the much reduced efficiency of the DC-DC converters compared to AC transformers.

Comparing AC to DC equivalent systems the DC systems always have higher cost due to the high cost of DC-DC converters and switchgear, with the mass of DC systems being marginally lower and the losses between AC and DC systems being very similar. This shows that the lower losses in DC cables at this power range and cable lengths are not large enough to make a significant difference in the overall efficiency of the systems. Comparing the AC and DC star topology efficiencies shows this well. Cables do not significantly contribute to the total mass, with the lightest system simply being the one with the fewest components.

The simplified COE of the electrical system and gearbox of each topology is shown in Table 3. Low capital cost and losses in the AC systems results in low simplified COE for the AC star, AC cluster and AC radial topologies. High capital cost and losses result in high simplified COE for the DC series, DC series/parallel and DC cluster topologies. AC topologies have a

lower capital cost and lower simplified COE compared to the DC systems analysed, showing that the proposed benefits of DC systems in offshore collection networks do not cross over to collection systems for MRWT's.

A comparison of each topology can be seen in Table 4. The AC radial is considered the base topology as it is the most commonly used collection network in offshore wind farms. Base levels are marked with 'O' in Table 4 with '+' symbols used to indicate an improvement in the specified category compared to the base case and '-' symbols used to indicate a decrease in performance in that category compared to the base case. Component count includes gearbox, generator, converters, transformers and switchgear units for each topology. The reliability category is considered as a combination of component count and amount of shared equipment. As an example, the DC cluster topology performs badly in this category as a fault in the shared DC-DC converter would result in a loss of five turbines and the DC star topology performs excellently in this category due to having no shared equipment and a low component count. This category is seen as an important characteristic of each topology as it highlights one of the key benefits of a MRWT system. Failure of components in a large single rotor turbine will likely result in the loss of 100% of the power from that turbine, whereas a MRWT can still produce a high percentage of power after the failure of components. Further work should be conducted in order to quantify monetary value of this characteristic for each topology, but a first pass attempt has been made here to at least indicate which topologies will benefit the most from this characteristic. Although cable failure rates are significantly lower than other components used in wind turbines, cable failures have still been included in this analysis.

The AC star topology is the best solution overall as it only performs slightly worse than the base case in the category of efficiency and performs very well in each of the other categories, specifically reliability and mass per nacelle. The DC star topology also performs well overall and could see an improvement in reliability compared to the AC star topology due to its lower component count. It is recommended that more detailed design and analysis work are carried out for these two topologies.

The basic cost estimation of electrical components made in the Innwind project (Jamieson et al., 2015) totals to £4.6 million. This cost estimation was lacking detail and significantly underestimated the cost of electrical systems required for a MRWT, with this study showing the cheapest system to cost in the region of £7.9 million. The capital cost of electrical components (as well as gearbox cost) in the Innwind project is 13.3% of the capital cost of the entire system, and the simplified COE of the electrical system and gearbox is estimated to be 10.65 £/MWh. Although lower than the simplified COE of each topology in this study, it is reflective of the level of detail between the two studies. Using the same methodology, the simplified COE of the electrical system of two DTU RWT's (inc. gearbox) is 36.85 £/MWh, showing that even the most expensive topologies are significantly cheaper compared to a large single rotor turbine. Combined with the savings in material costs for blades, improvements in O&M costs, reduced installation and transport costs and power increases due to clustering of turbines it is still expected that the MRWT concept will achieve a much improved overall LCOE regardless of the increase in cost of electrical components.

The cost estimates presented here are highly sensitive to the cost of DC-DC converters and DC switchgear. Although these costs may fall in the future, the reductions would have to be significant for the DC systems to be comparable in price to the AC systems in the context of MRWT electrical systems. DC systems may be more attractive if the MRWT would connect to a DC collection network, however there is currently no DC collection networks in operation, and the feasibility of their existence

Table 4. Comparison of topologies.

Topology	Cap. cost	Efficiency	Simplified COE	Total Mass	Mass per nacelle	Component count	Reliability	Notes
AC radial	O	O	O	O	O	O	O	High component count
DC radial	-	+	-	+	++	++	+	Shared cables (max. 6 turbines) but low component count
AC cluster	O	--	O	-	--	-	-	Shared transformer (5 turbines) and short shared cables. High component count
DC cluster	--	--	--	O	+	+	--	Shared DC-DC converter (5 turbines) and short shared cables
AC star	O	-	O	+	+	+	++	No shared equipment (medium component count)
DC star	-	-	-	+	++	++	+++	No shared equipment (low component count)
DC series	--	--	--	O	+	+	--	Shared DC-DC converter (5 turbines) and long shared cables
DC series/parallel	--	--	--	-	-	O	--	Long shared string cables, high current collection cables transmit all power, high component count

within the near future is still low. DC systems could also reduce cost and mass significantly by using diode rectifier in place of controlled rectifiers, but this would jeopardise the controllability of the entire system and in most cases lose the ability to control the speed of the turbines individually.

435 Future work is recommended on further optimisation of topologies to see the effects of varying voltage level, number of turbines in clusters and strings, different generator types, different power train configurations and different rated power levels of turbines used within the MRWT system.

9 Conclusions

Eight different electrical topologies have been proposed and analysed in terms of mass, cost effectiveness, component count and reliability. There are several key findings from this study. AC topologies consistently have the lowest simplified COE of the electrical system ranging between 11.36 to 11.82 £/MWh. DC systems have higher simplified COE of the electrical system between 13.3 and 17.8 £/MWh. The increased cost is attributed to the high cost of DC-DC converters and DC switchgear. AC systems have lower capital cost and lower simplified COE compared to the equivalent DC systems. The lowest simplified COE is seen in the AC radial system, very closely followed by the AC star and AC cluster topologies. The topologies with the highest simplified COE are the DC series/parallel, followed by the DC cluster and DC series. The radial topologies have the highest efficiency at rated power and the lowest annual energy loss. The difference in total mass between the systems is not significant, but DC systems do see a reduction in mass per nacelle. It is unclear at this point how much the mass of each nacelle will effect the cost and complexity of the support structure required for a MRWT. Both star topologies are considered to have the highest reliability due to having no shared equipment. Lower losses in DC cables do not result in a significant reduction of total system losses. Reduced cost of DC cables do not outweigh the increased cost due to DC-DC converters and DC switchgear.

445 DC-DC converters and DC switchgear are still commercially unavailable and it is therefore hard to estimate the cost of such equipment. Due to this, the results are very sensitive to the cost of DC-DC converters and switchgear. Systems that lose only a small portion of rated power due the failure of one component are clearly more desirable than systems that will lose a higher portion of rated power. Further work is recommended on this topic to investigate the monetary value of this characteristic of MRWT's.

460 From the systems analysed, the most promising type of system is the AC star topology; it performs well in a large range of categories, and has very good reliability compared to other systems. The high reliability is due to the design of the system which has no shared equipment between turbines. The DC star topology also performs well overall and could have even higher reliability than the AC star topology due to its lower component count. Both topologies should be considered for more detailed design and analysis in future work.

Data availability. No data sets were used in this study.

Author contributions. PP carried out all design and analysis work under supervision and guidance from DC and OA.

Competing interests. The authors declare that they have no conflict of interest

Acknowledgements. This work was funded as part of the EPSRC-funded Wind and Marine Energy Systems Centre for Doctoral Training.

465 **References**

- ABB: Product note 9AKK105293 Rev B.: High speed PM generator series for full converter concept from 1 . 5 MW upwards., <https://new.abb.com/motors-generators/generators/generators-for-wind-turbines>, 2012.
- ABB: 3AUA0000231755 RevA: ABB wind turbine converters - ACS880, 800 kW to 8 MW, <https://new.abb.com/power-converters-inverters/wind-turbines>, 2018.
- 470 ABB: 3BHS351272E01 Rev C: ABB wind turbine converters PCS6000, <https://new.abb.com/power-converters-inverters/wind-turbines>, 2019.
- Bahirat, H. J., Mork, B. A., and Hoidalen, H. K.: Comparison of wind farm topologies for offshore applications, IEEE Power Energy Soc. Gen. Meet., pp. 1–8, <https://doi.org/10.1109/PESGM.2012.6344689>, 2012.
- Bak, C., Zahle, F., Bitsche, R., Kim, T., Yde, A., Henriksen, L. C., Natarajan, A., and Hansen, M.: DTU Wind Energy Report-I-0092, 2013.
- 475 Carroll, J., McDonald, A., McMillan, D., Stehly, T., Mone, C., and Maples, B.: Cost of energy for offshore wind turbines with different drive train types, Eur. Wind Energy Assoc. Annu. Conf. Exhib. 2015, EWEA 2015 - Sci. Proc., <https://www.scopus.com/inward/record.uri?eid=2-s2.0-85034228558&partnerID=40&md5=d448b6a80cd201e2da47be7e1d739cbd>, 2015.
- Chen, W., Huang, A. Q., Li, C., Wang, G., and Gu, W.: Analysis and comparison of medium voltage high power DC/DC converters for offshore wind energy systems, IEEE Trans. Power Electron., 28, 2014–2023, <https://doi.org/10.1109/TPEL.2012.2215054>, 2013.
- 480 Declercq, J.: Transformers for wind turbines - need for new design of business as usual., in: 17th Int. Conf. Electr. Distrib., 25, pp. 12–15, Barcelona, 2003.
- Dicorato, M., Forte, G., Pisani, M., and Trovato, M.: Guidelines for assessment of investment cost for offshore wind generation, Renew. Energy, 36, 2043–2051, <https://doi.org/10.1016/j.renene.2011.01.003>, 2011.
- Dynapower: DPS-500 500kW bidirectional DC to DC converter for utility scale solar plus storage, 2019.
- 485 Fingersh, L., Hand, M., and Laxson, A.: Wind Turbine Design Cost and Scaling Model, Tech. rep., National Renewable Energy Laboratory (NREL), Golden, CO, <https://doi.org/10.2172/897434>, 2006.
- Georgios, S. and Wheeler, P.: Techno-Economical Analysis of DC Collection Grid for Offshore Wind Parks, <https://doi.org/10.13140/RG.2.1.1902.6649>, 2010.
- Goeltenbott, U., Ohya, Y., Karasudani, T., and Jamieson, P.: Aerodynamics of Clustered Wind Lens Turbines, in: ICOPE 2015 - Int. Conf. Power Eng., Japan Society of Mechanical Engineers, <https://doi.org/10.1115/AJKFluids2015-28601>, 2015.
- 490 Göltenbott, U., Ohya, Y., Yoshida, S., and Jamieson, P.: Aerodynamic interaction of diffuser augmented wind turbines in multi-rotor systems, Renew. Energy, 112, 25–34, <https://doi.org/10.1016/j.renene.2017.05.014>, 2017.
- Hart, K., McDonald, A., Polinder, H., Corr, E. J., and Carroll, J.: Improved cost energy comparison of permanent magnet generators for large offshore wind turbines, Eur. Wind Energy Assoc. 2014 Annu. Conf., <http://strathprints.strath.ac.uk/id/eprint/48099>, 2014.
- 495 Islam, M. R., Guo, Y., and Zhu, J.: A review of offshore wind turbine nacelle: Technical challenges, and research and developmental trends, Renew. Sustain. Energy Rev., 33, 161–176, <https://doi.org/10.1016/j.rser.2014.01.085>, 2014.
- Jamieson, P.: Innovation in Wind Turbine Design, John Wiley & Sons, Ltd, 2011.
- Jamieson, P. and Branney, M.: Multi-Rotors; A Solution to 20 MW and Beyond?, Energy Procedia, 24, 52–59, <https://doi.org/10.1016/J.EGYPRO.2012.06.086>, 2012.

- 500 Jamieson, P., Branney, M., Hart, K., Chaviaropoulos, P., Sieros, G., Voutsinas, S., Chasapogiannid, P., and Prospathopoulos, J. M.: IN-
NWIND Deliverable 1.3.3: Innovative Turbine Concepts - Multi-Rotor System, Tech. Rep. August, [http://www.innwind.eu/publications/
deliverable-reports](http://www.innwind.eu/publications/deliverable-reports), 2015.
- Lakshmanan, P., Liang, J., and Jenkins, N.: Assessment of collection systems for HVDC connected offshore wind farms, *Electr. Power Syst. Res.*, 129, 75–82, <https://doi.org/10.1016/j.epr.2015.07.015>, 2015.
- 505 Lundberg, S.: Performance comparison of wind park configurations, Tech. rep., Department of Electric Power Engineering, Chalmers University of Technology, Goteborg, 2003.
- Manwell, J. F., McGowan, J. G., Brena, S., and Verma, P.: A Comparative Study of a Three Rotor and a Single Rotor 5 MW Wind Turbine Based on Economic and Structural Considerations, *Wind Eng.*, 38, 643–657, <https://doi.org/10.1260/0309-524X.38.6.643>, 2014.
- Max, L. and Lundberg, S.: System efficiency of a DC/DC converter-based wind farm, *Wind Energy*, 11, 109–120,
510 <https://doi.org/10.1002/we.259>, 2008.
- Max, L., For, T., Degree, T. H. E., Licentiate, O. F., and Engineering, O. F.: Energy Evaluation for DC/DC Converters in DC-Based Wind Farms, 2007.
- Ng, C. and Ran, L.: *Offshore Wind Farms: Technologies, Design and Operation*, vol. 3, Elsevier, <https://doi.org/10.1016/C2014-0-00763-0>, 2016.
- 515 Ohya, Y., Miyazaki, J., Göltenbott, U., and Watanabe, K.: Power Augmentation of Shrouded Wind Turbines in a Multirotor System, *J. Energy Resour. Technol.*, 139, 051 202, <https://doi.org/10.1115/1.4035754>, 2017.
- Parastar, A., Kang, Y. C., and Seok, J. K.: Multilevel Modular DC/DC Power Converter for High-Voltage DC-Connected Offshore Wind Energy Applications, *IEEE Trans. Ind. Electron.*, 62, 2879–2890, <https://doi.org/10.1109/TIE.2014.2363818>, 2015.
- Parker, M. A. and Anaya-Lara, O.: Cost and losses associated with offshore wind farm collection networks which centralise the turbine
520 power electronic converters, *IET Renew. Power Gener.*, 7, 390–400, <https://doi.org/10.1049/iet-rpg.2012.0262>, 2013.
- Sieros, G., Chaviaropoulos, P., Sørensen, J. D., Bulder, B. H., and Jamieson, P.: Upscaling wind turbines: theoretical and practical aspects and their impact on the cost of energy, *Wind Energy*, 15, 3–17, <https://doi.org/10.1002/we.527>, 2012.
- Starke, M., Tolbert, L. M., and Ozpineci, B.: AC vs. DC distribution: A loss comparison, in: 2008 IEEE/PES Transm. Distrib. Conf. Expo., vol. 22, pp. 1–7, IEEE, <https://doi.org/10.1109/TDC.2008.4517256>, 2008.
- 525 The Switch: The Switch high-speed PMGs, pp. 1–2, 2019.
- Wind Turbine Models: <https://en.wind-turbine-models.com/turbines/67-enercon-e-40-5.40>, a.
- Wind Turbine Models: <https://en.wind-turbine-models.com/turbines/383-vestas-v39>, b.